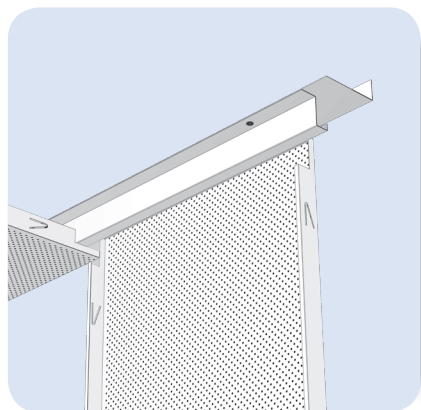


Oriol XL Plafometal panel

Large format swing-down opening panel from both sides, concealed grid



- Designed to be hooked on a special concealed grid forming a closed hollow joint between the panel and the wall.
- The "wool block" notches on the sides hold the acoustic inlay in place and prevent it from sliding when opening panels.

Key product features

Aesthetics: large panel

Opening: swing down on both sides

Acoustics: high degree of correction, absorption factor α_w up to 1

Installation: grid with an offset edge to absorb alignment gaps with the wall and possibility of island installations

Ideal for: office corridors and hospital corridors

Related systems

- CORRIDOR CEILINGS
Opening ceiling on concealed profiles
Large format swing-down panel system on both sides
ORIAL XL PLAFOMETAL
[PLAFOMETAL-CC-130]

- FREE HANGING SYSTEMS
Swing-down island
Large format swing-down panel system on both sides
ORIAL XL PLAFOMETAL
[PLAFOMETAL-FH-110]

Characteristics and performance



Light reflection
Up to 87%



Straight sides and square edges



Acoustics
 α_w up to 0.85 with the ALPHA range
 α_w up to 1 with the ALPHA PLUS range



Indoor air quality
Class A+ for all these products:

- Non-perforated
- In the ALPHA range
- In the ALPHA PLUS range, with a specific mineral wool pad in thin plastic film

Class A for all the products in the ALPHA PLUS range, with a specific mineral wool pad with a black tissue face



Optional climate ceiling island available; contact us for details



Reaction to fire (according to EN 13501-1)
Euroclass A1 for these products:

- Prepainted non-perforated
 - Prepainted in the ALPHA range
- Euroclass A2-s1,d0 for these products:
- Non-perforated powder post-painted
 - Powder post-painted in the ALPHA range
 - In the ALPHA PLUS range



Chemical resistance
(according to EN 12720 and ISO 11998)
Metal ceilings are resistant to disinfection with sodium hypochlorite 2,5%, hydrogen peroxide 6% or ethanol 70% disinfectants. Further details can be found in the "Maintenance" section of the appendices.



Verified EPD available in the INIES database (www.inies.fr)

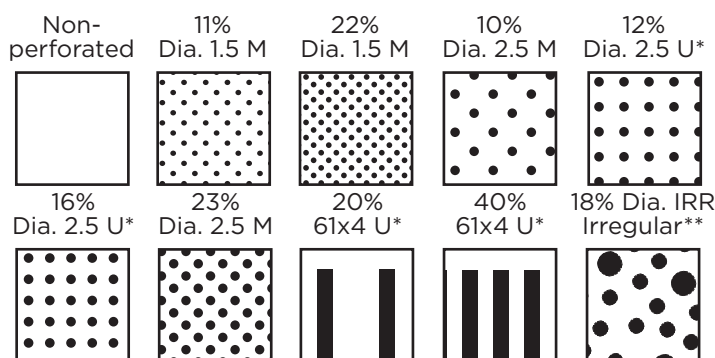


CE marking (according to EN 13964)
DoP no.: 0007-200

Colors

- **White 137 (≈ RAL 9003)**
Polyester prepainted
- **Metallic Gray (RAL 9006)**
Polyester prepainted - on request
- **180 RAL colors available on request**
Polyester powder post-painted

Perforations



Scale 1:2 Perforations can be stopped at the end of the panel (except for 18% IRR)

* Only available with perforations that stop short on the four sides.

** Maximum width 400 mm

Dimensions & Packing

| Dimensions (mm) | | | | | | | |
|----------------------------|--|-------|-------|-------|--|-------|-------|
| System | In corridors or islands | | | | In islands | | |
| Width* | 300 | 400 | 600 | 675 | 1,200 | 1,800 | 2,400 |
| Length | On request. Recommended dimensions between 800 and 2,500 mm depending on the self-supporting capacity. | | | | On request. Recommended dimensions between 600 and 1,200 mm depending on the self-supporting capacity. | | |
| Height | 30 or 45 | | | | 30 or 45 | | |
| Self-supporting capacity** | 2,500 | 2,500 | 1,800 | 1,800 | 1,200 | 1,050 | 900 |
| Packaging | | | | | | | |
| Units/pack | Contact us | | | | | | |
| m ² /pack | | | | | | | |
| Packs/pallet | | | | | | | |
| Weight (gross kg/pack) | | | | | | | |

Non-perforated steel panel only (thickness 0.6 to 0.8 mm)

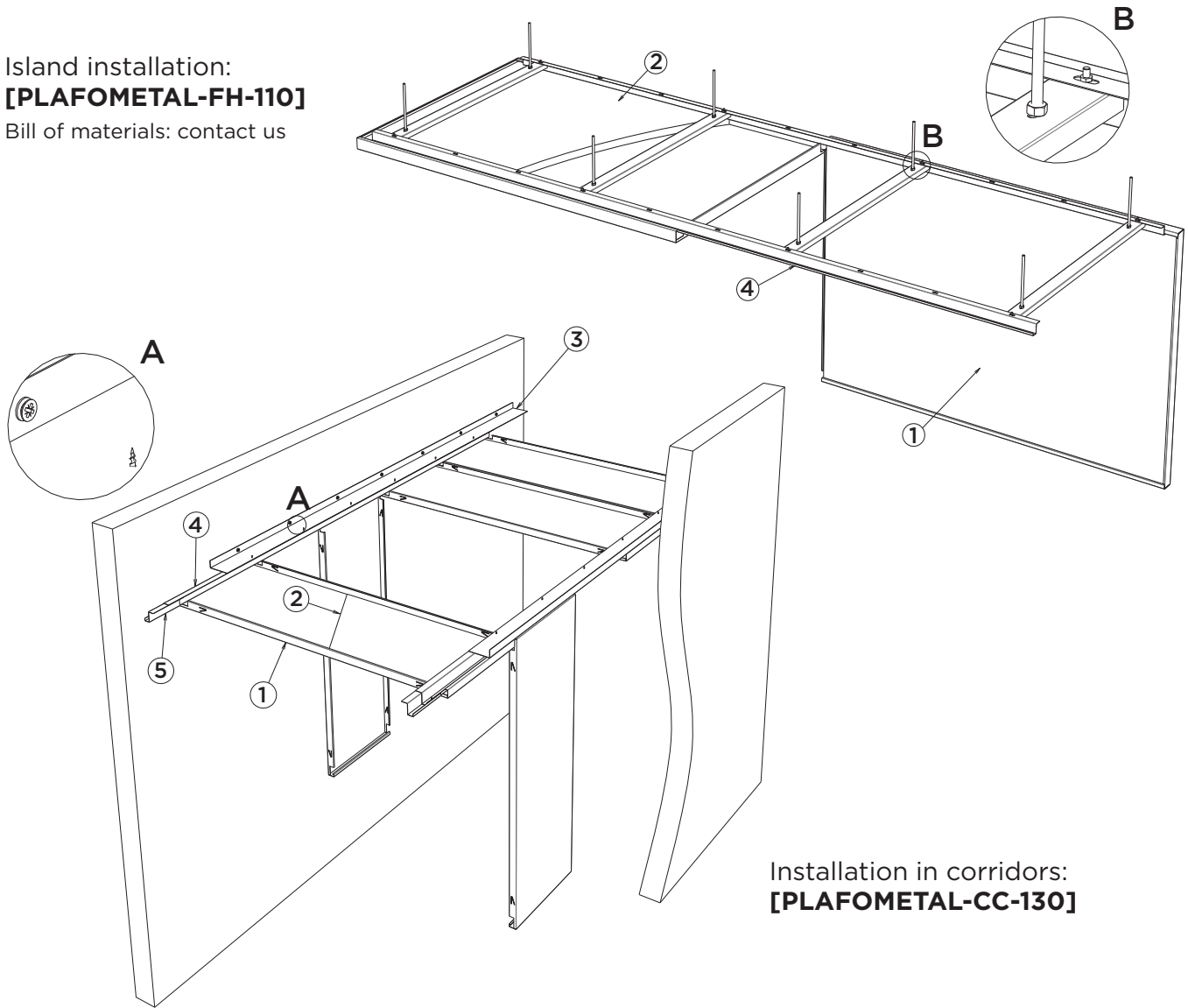
* Other dimensions on request

** For 45 mm height

Orial XL Plafometal panel

Island installation:
[PLAFOMETAL-FH-110]

Bill of materials: contact us



Installation in corridors:
[PLAFOMETAL-CC-130]

| No. | Illustration | Article code | Component | Sales unit | Billing unit | Quantity (in billing units) | |
|-----|--------------|--------------|---|------------|----------------|-----------------------------|--------------------|
| 1 | | Contact us | Orial XL Plafometal panel | Unit | m ² | 1 | Per m ² |
| 2 | | Contact us | Additional acoustic component | / | m ² | 1 | |
| 3 | | P5790061 | Orial XL Plafometal wall angle 30 x 85 mm leng. 3 m | Unit | lm | 2 | Per lm of corridor |
| 4 | | P5790065 | Orial XL Plafometal profile leng. 3 m | Unit | lm | 2 | |
| 5 | | Contact us | Orial XL Plafometal length connector | Unit | Unit | 0.67 | |

Installation according to local code of practice

Installation in corridors: wall angles to be fixed every 300 mm and Orial XL Plafometal hinged profiles to be assembled with self-tapping screws every 300 mm. Provide a gap of at least 30 mm between the wall and the panel edge.

Island installation: Orial XL Plafometal supporting rail to be suspended from the ceiling and Orial XL Plafometal hinged profiles to be screwed to the supporting rail. Contact us.

Removal: the panel is opened by pushing upwards and then sliding sideways to free it from the hinged profile. The panel swings down and remains suspended on the opposite profile. Put the panel back in place in reverse order, ensuring that all the elements are aligned.

Cut-outs: bespoke factory cut-outs on request.