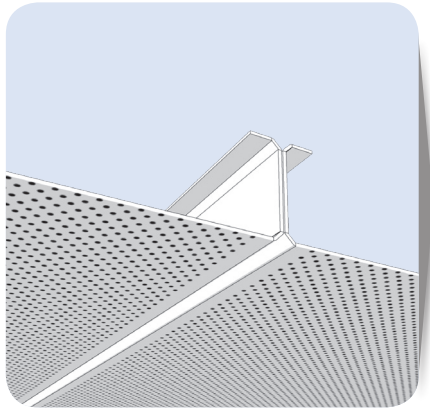


PM10 panel

Self-supporting panel, straight sides and bevelled edges



- Designed for a self-supporting installation on an exposed grid.
- Panel ends are open (BO) and can be cut on site.

Key product features

Installation: cost-effective; lengths can be adjusted on site

Acoustics: high degree of correction, absorption factor α_w up to 1

Opening: wide access to the plenum

Ideal for: corridors

Related systems

- CORRIDOR CEILINGS
Self-supporting ceiling on exposed profiles
Self-supporting panel on wall angle system PM10
[PLAFOMETAL-CC-410]

Characteristics and performance



Light reflection
Up to 87%



Straight sides and bevelled edges
Open ends (BO) only



Acoustics
 α_w up to 0.85 with the ALPHA range
 α_w up to 1 with the ALPHA PLUS range



Indoor air quality
Class A+ for all these products:
• Non-perforated
• In the ALPHA range
• In the ALPHA PLUS range with a specific mineral wool pad in thin plastic film
Class A for all the products in the ALPHA PLUS range, with a specific mineral wool pad with a black tissue face



Reaction to fire (according to EN 13501-1)

Euroclass A1 for these products:

- Prepainted non-perforated
 - Prepainted in the ALPHA range
- Euroclass A2-s1,d0 for these products:
- Non-perforated powder post-painted
 - Powder post-painted in the ALPHA range
 - In the ALPHA PLUS range



Verified EPD available in the INIES database (www.inies.fr)

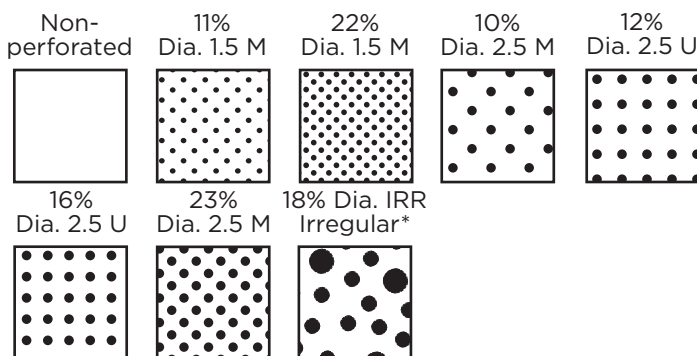


CE marking (according to EN 13964)
DoP no.: 0007-200

Colors

- **White 137 (≈ RAL 9003)**
Polyester prepainted steel
 - **Metallic Gray (RAL 9006)**
Polyester prepainted steel
 - **180 RAL colors available on request**
Polyester powder post-painted
- **Other colors on request subject to quantity**
Polyester prepainted aluminum

Perforations



Scale 1:2 On aluminum, contact us.

* Maximum width 400 mm

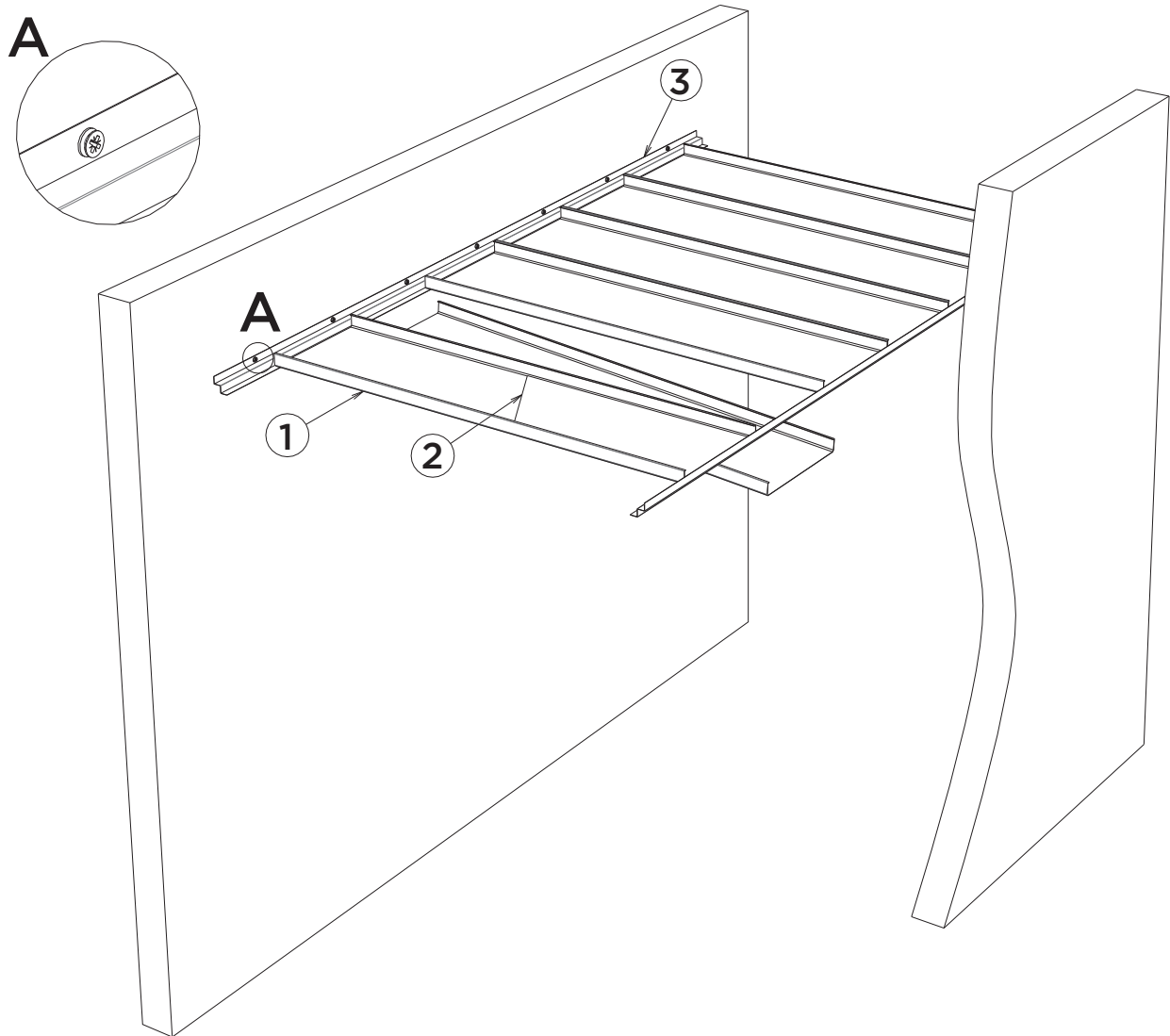
Dimensions & Packing

Dimensions (mm)	
Width	300
Length	On request. Recommended dimensions between 900 and 2,800 mm depending on the self-supporting capacity
Height	33
Thickness	Steel 0.5
Self-supporting capacity	2,800
Packaging*	
Units/pack	8
m ² /pack	6.72
Packs/pallet	21
Weight (gross kg/pack)	32

Non-perforated steel panel only (thickness 0.5 mm)

* For a length equal to the self-supporting capacity

Installation in corridors: [PLAFOMETAL-CC-410]



No.	Illustration	Article code	Component	Sales unit	Billing unit	Quantity (in billing units)	
1		Contact us	PM10 panel	Pack	m ²	1	Per m ²
2		Contact us	Additional acoustic component	/	m ²	1	
OR		V817BA	Wall angle 30 x 30 mm leng. 3 m	Pack (30 units)	lm	2	Per lm of corridor
		D5165BA	Hollow joint wall angle 19 x 19 x 19 x 19 mm leng. 3 m	Pack (30 units)	lm	2	

Installation in corridors according to DTU 58-1

Installation: wall angle to be screwed to the wall every 300 mm. **Removal:** by lifting an edge of the panel in the grid.

Cut-outs: performed on site.