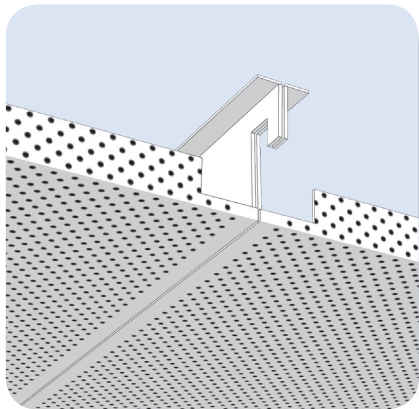


PM2 Hook-on panel

Self-supporting panel, straight sides and square edges, Omega bandraستر



- Designed to be installed on an exposed grid.
- Panels contain straight raised ends (BRD) and hooks for installing on different bandraستر carriers and creating partitions.

Key product features

Safety: hooks to prevent panels from falling if completely opening a ceiling frame

Acoustics: high degree of correction, absorption factor α_w up to 1

Opening: wide access to the plenum

Ideal for: office spaces with removable partition walls

Related systems

- WALL TO WALL SUSPENDED CEILING
Ceiling on bandraستers (for partitioning)
Hook-on panel on bandraستر system PM2
[PLAFOMETAL-SC-120]

Characteristics and performance



Light reflection
Up to 87%



Straight sides and square edges
Ends: hooks + BRD only



Acoustics
 α_w up to 0.80 with the ALPHA range
 α_w up to 1 with the ALPHA PLUS range



Indoor air quality
Class A+ for all these products:
Non-perforated

- In the ALPHA range
- In the ALPHA PLUS range, with a specific mineral wool pad in thin plastic film

Class A for all the products in the ALPHA PLUS range, with a specific mineral wool pad with a black tissue face



Verified EPD available in the INIES database (www.inies.fr)



Reaction to fire (according to EN 13501-1)
Euroclass A1 for these products:

- Prepainted non-perforated
 - Prepainted in the ALPHA range
- Euroclass A2-s1,d0 for these products:
- Non-perforated powder post-painted
 - Powder post-painted in the ALPHA range
 - In the ALPHA PLUS range



Optional climate ceiling available; contact us for details

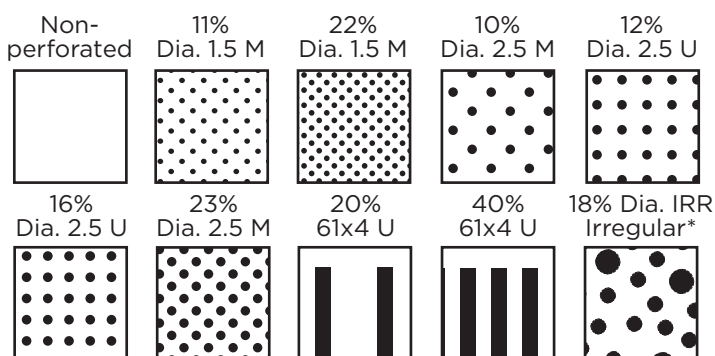


CE marking (according to EN 13964)
DoP no.: 0007-200

Colors

- **White 137 (≈ RAL 9003)**
Polyester prepainted
- **Metallic Gray (RAL 9006)**
Polyester prepainted - on request
- **180 RAL colors available on request**
Polyester powder post-painted

Perforations



Scale 1:2

* Maximum width 400 mm

On aluminum, contact us

Dimensions & Packing

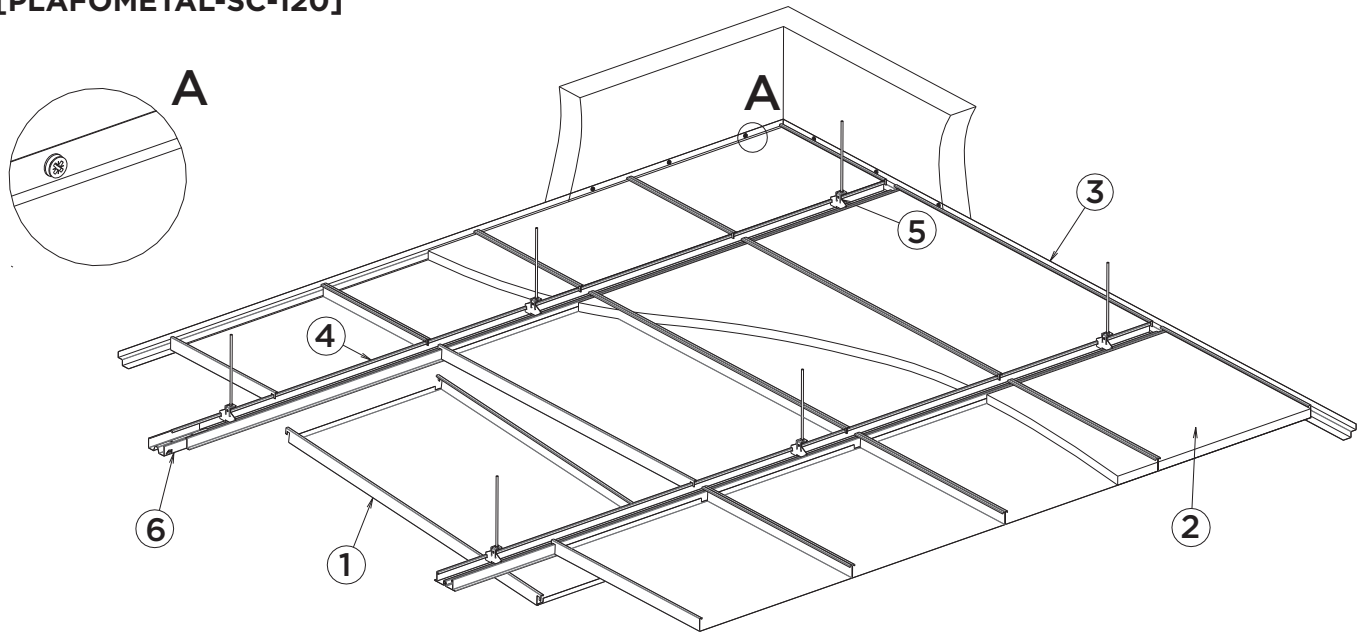
Dimensions (mm)			
Width	300	400	600
Length	On request. Recommended dimensions between 900 and 2,800 mm depending on the self-supporting capacity		
Height	43.5		
Self-supporting capacity	2,800	2,400	1,500
Packaging*			
Units/pack	6	Contact us	
m ² /pack	4.32		
Packs/pallet	21		
Weight (gross kg/pack)	26		

Non-perforated steel panel only (thickness 0.6 to 0.7 mm)

* For a length equal to the self-supporting capacity

PM2 Hook-on panel

Framed installation:
[PLAFOMETAL-SC-120]



No.	Illustration	Article code	Component	Sales unit	Billing unit	Quantity (in billing units)
1		Contact us	PM2 Hook-On panel (BRD)	Pack	m ²	1
2		Contact us	Additional acoustic component	/	m ²	1
OR		D5165BA	Hollow joint wall angle 19 x 19 x 19 mm leng. 3 m	Pack (30 units)	lm	Depending on the perimeter
		V817BA	Wall angle 30 x 30 mm leng. 3 m	Pack (30 units)	lm	
		U+1802BA	Channel trim 19 x 40 x 19 mm leng. 3 m + perimeter wedge (not included in the pack)	Pack (12 units)	lm	
OR		8131431	Hollow joint rail leng. 3.6 m	Pack (8 units)	lm	$\frac{1}{\text{Bandraستر center spacing (lm)}}$
		D5180B	Bandraستر leng. 3.6 m	Pack (8 units)	lm	
		Contact us	Bandraستر hanger*	Pack (100 units)	Unit	$\frac{1}{\text{Bandraستر center spacing (lm) x 1.2}}$
OR		Contact us	Hollow joint bandraستر splice	Pack (25 units)	Unit	$\frac{1}{\text{Bandraستر center spacing (lm) x 3.6}}$
		Contact us	Omega bandraستر splice	Pack (25 units)	Unit	

* Suspend with 6 mm diameter threaded rods and M6 nuts (not supplied)

Installation according to DTU 58-1

Framed installation: hangers with 1,200 mm centers starting 300 mm from the wall, and bandraستers with centers up to the panel's self-supporting capacity.

Cut-outs: bespoke factory cut-outs on request.

Removal: by lifting the panel in the grid.