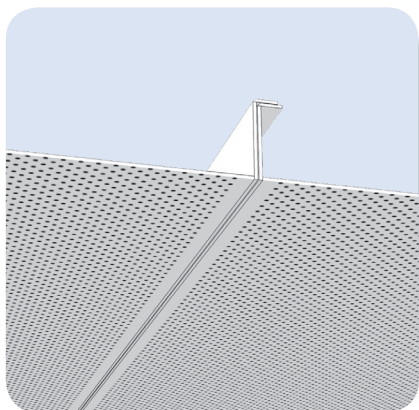


PM3 panel

Self-supporting panel with overlapping sides and square edges



- One of the edges overlaps the edge of the adjacent panel.
- The panel ends may be open (BO) or turned up straight (BRD) for a greater finish around the perimeter.

Key product features

Aesthetics: reduced risk of light leakage and out-of-flush elements

Opening: wide access to the plenum

Acoustics: high degree of correction, absorption factor α_w up to 1

Ideal for: corridors

Related systems

- CORRIDOR CEILINGS
Self-supporting ceiling on exposed profiles
Self-supporting panel on wall angle system PM3
[PLAFOMETAL-CC-410]

Characteristics and performance



Light reflection
Up to 87%



Overlapping sides and square edges
End options: BO, BRD



Acoustics
 α_w up to 0.85 with the ALPHA range
 α_w up to 1 with the ALPHA PLUS range



Indoor air quality
Class A+ for all these products:

- Non-perforated
- In the ALPHA range
- In the ALPHA PLUS range, with a specific mineral wool pad in thin plastic film

Class A for all the products in the ALPHA PLUS range, with a specific mineral wool pad with a black tissue face



Reaction to fire (according to EN 13501-1)
Euroclass A1 for these products:

- Prepainted non-perforated
 - Prepainted in the ALPHA range
- Euroclass A2-s1,d0 for these products:
- Non-perforated powder post-painted
 - Powder post-painted in the ALPHA range
 - In the ALPHA PLUS range



Verified EPD available in the INIES database
(www.inies.fr)

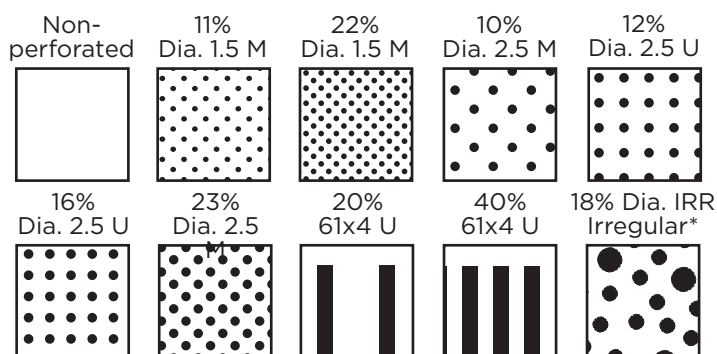


CE marking (according to EN 13964)
DoP no.: 0007-200

Colors

- **White 137 (≈ RAL 9003)**
Polyester prepainted
- **Metallic Gray (RAL 9006)**
Polyester prepainted - on request
- **180 RAL colors available on request**
Polyester powder post-painted

Perforations



Scale 1:2

* Maximum width 400 mm

On aluminum, contact us

Dimensions & Packing

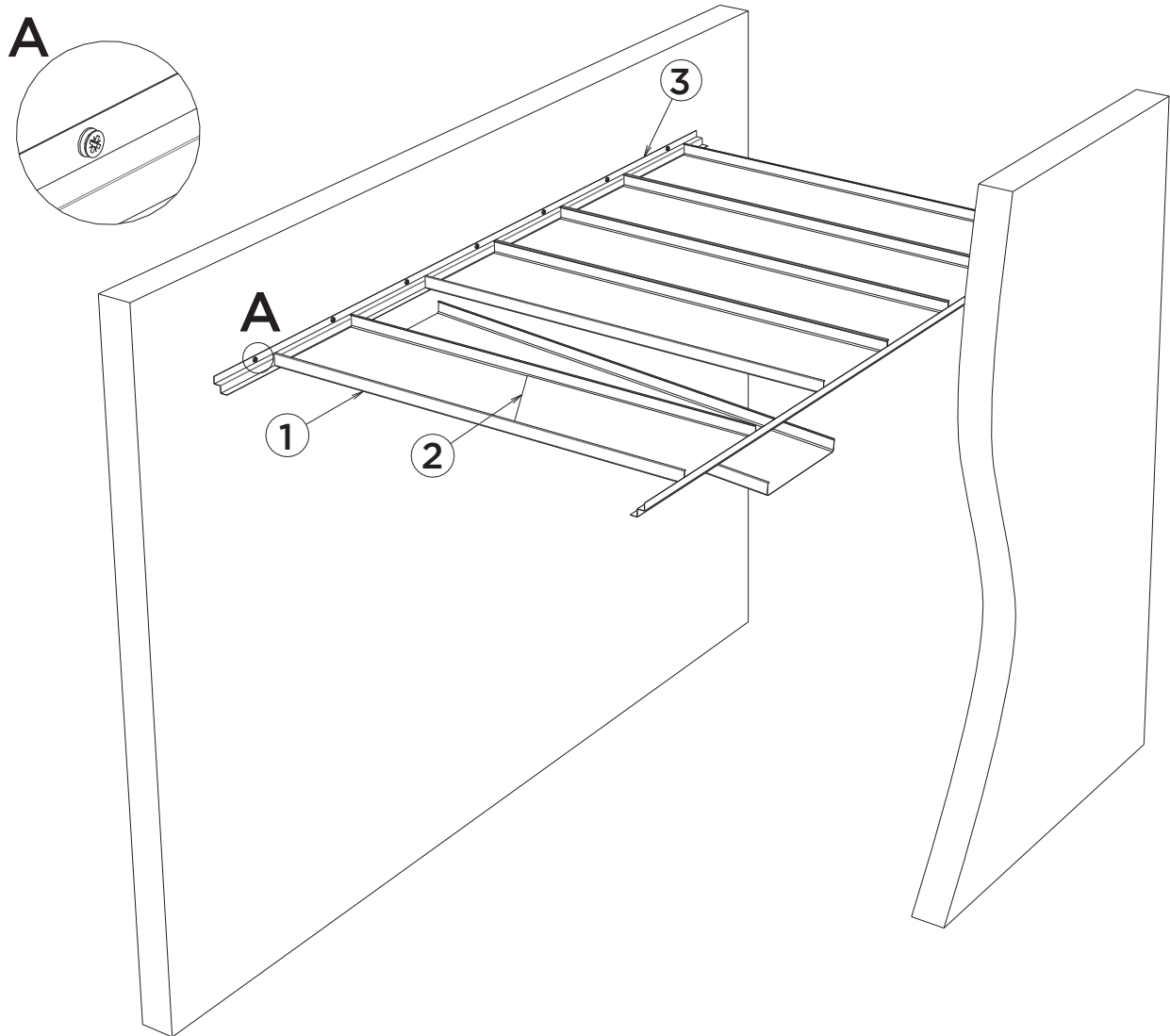
Dimensions (mm)			
Width*	300	400	600
Length	On request. Recommended dimensions between 900 and 2,800 mm depending on the self-supporting capacity		
Height	31		
Self-supporting capacity	2800	2400	1500
Packaging**			
Units/pack	8	6	6
m ² /pack	6.72	5.76	5.4
Packs/pallet	21	27	18
Weight (gross kg/pack)	31	30	27

Non-perforated steel panel only (thickness 0.5 to 0.7 mm)

* Other dimensions on request

** For a length equal to the self-supporting capacity

Installation in corridors: [PLAFOMETAL-CC-410]



No.	Illustration	Article code	Component	Sales unit	Billing unit	Quantity (in billing units)		
1		Contact us	PM3 BO or BRD panel	Pack	m ²	1	Per m ²	
2		Contact us	Additional acoustic component	/	m ²	1		
OR	3		V817BA	Wall angle 30 x 30 mm leng. 3 m	Pack (30 units)	lm	2	Per lm of corridor
	3		D5165BA	Hollow joint wall angle 19 x 19 x 19 x 19 mm leng. 3 m	Pack (30 units)	lm	2	

Installation according to DTU 58-1

Installation in corridors: wall angle to be screwed to the wall every 300 mm.

Removal: by lifting an edge of the panel (overlapping side) in the grid.

Cut-outs: bespoke factory cut-outs on request.