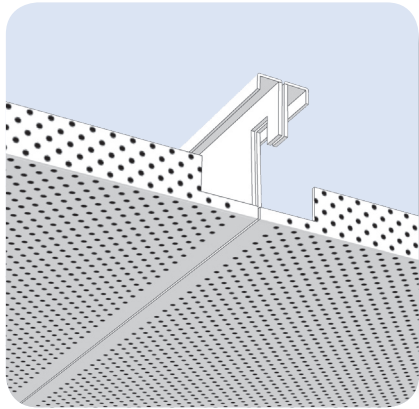


# PM8 SF Hook-on panel

Self-supporting panel, straight sides and square edges, fire-resistant, Omega bandraستر



- Designed to be installed on an exposed grid.
- Panels contain straight raised ends (BRD) and hooks for installing on different bandraستر carriers and creating partitions.
- Panels feature reinforced longitudinal edges for greater mechanical strength.

## Key product features

**Safety:** 30-minute fire resistance (France and Belgium)

**Safety:** hooks to prevent panels from falling if completely opening a ceiling frame

**Acoustics:** high degree of correction, absorption factor  $\alpha_w$  up to 1

**Opening:** wide access to the plenum

**Ideal for:** office spaces and lobbies with fire resistance needs

## Related systems

- WALL TO WALL SUSPENDED CEILINGS  
Ceiling on bandraستers (for partitioning)  
Self-supporting panel on Omega bandraستر system, fire-resistant PM8 SF Hook-On  
**[PLAFOMETAL-SC-130]**

## Characteristics and performance



**Light reflection**  
Up to 87%



Straight sides and square edges  
Ends: hooks + BRD only



**Acoustics**  
 $\alpha_w$  up to 0.80 with the ALPHA range  
 $\alpha_w$  up to 1 with the ALPHA PLUS range



**Indoor air quality**  
Class A+ for all these products:  
Non-perforated

- In the ALPHA range
- In the ALPHA PLUS range, with a specific mineral wool pad in thin plastic film



**Reaction to fire** (according to EN 13501-1)

Euroclass A1 for these products:

- Prepainted non-perforated
- Prepainted in the ALPHA range

Euroclass A2-s1,d0 for these products:

- Non-perforated powder post-painted
- Powder post-painted in the ALPHA range
- In the ALPHA PLUS range



**Fire resistance**

**France:** 30-minute fire resistance performance pursuant to the test described in Section 2.5 of Appendix 1 in the French Regulation of March 22, 2004, meeting applicable French fire regulations for shared-use corridors inside high-rise buildings. Products must be installed in compliance with the applicable fire classification report and appendices. Contact us.

**Belgium:** 30-minute fire resistance performance pursuant to the test defined in the Belgian NBN 713-020 standard, meeting applicable fire regulations for escape routes, public-access areas and collective kitchens. Products must be installed in compliance with the applicable fire classification and test reports. Contact us.



Verified EPD available in the INIES database ([www.inies.fr](http://www.inies.fr))

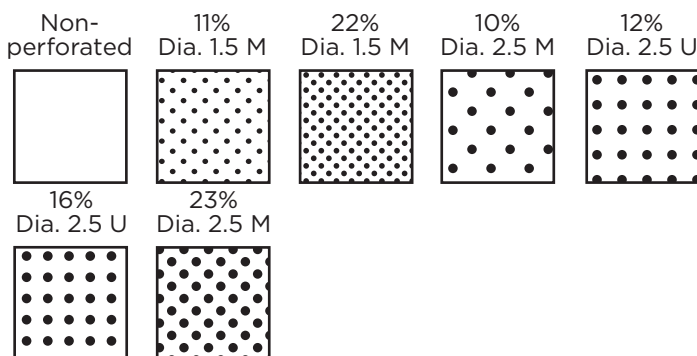


CE marking  
(according to EN 13964)  
DoP no.: 0007-200

## Colors

- **White 137 (≈ RAL 9003)**  
Polyester prepainted
- **Metallic Gray (RAL 9006)**  
Polyester prepainted - on request
- **180 RAL colors available on request**  
Polyester powder post-painted

## Perforations



Scale 1:2

## Dimensions & Packing

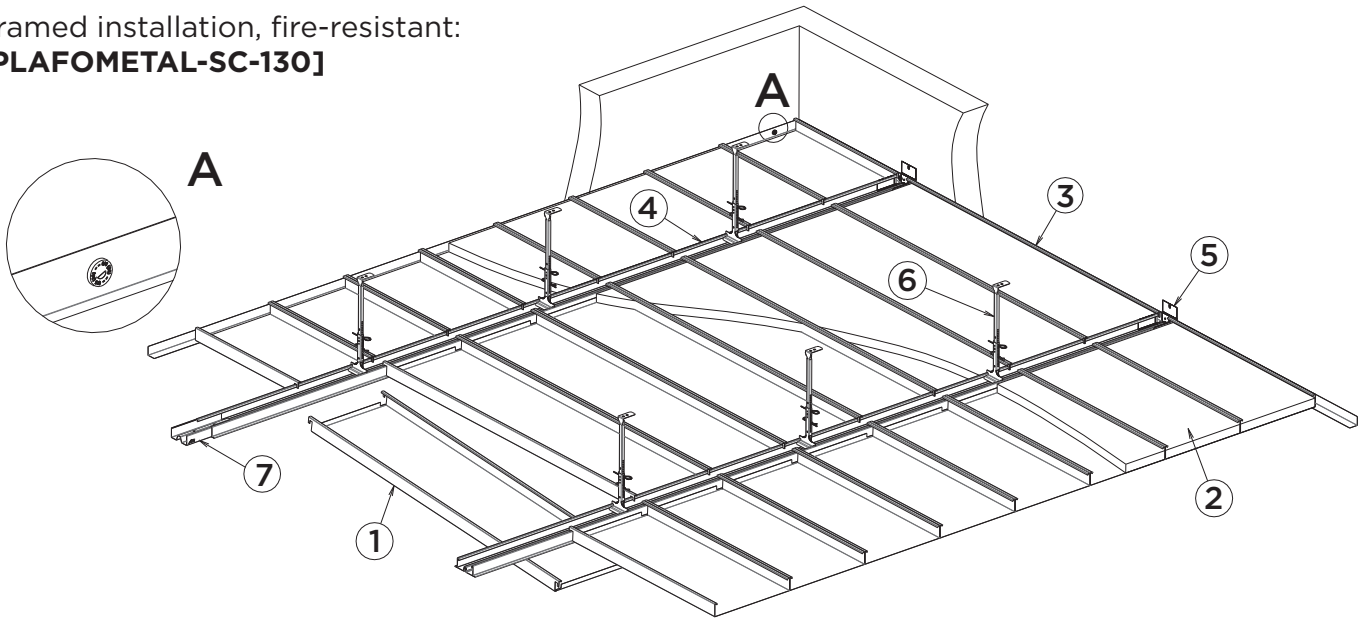
Dimensions (mm)	
Width	300
Length	On request. Recommended dimensions between 900 and 2,420 mm (maximum in the classification report)
Height	43.5
Self-supporting capacity	2,420
Packaging*	
Units/pack	6
m <sup>2</sup> /pack	4.32
Packs/pallet	21
Weight (gross kg/pack)	26

Non-perforated steel panel only (thickness 0.6 mm)

\* For a length equal to the self-supporting capacity

# PM8 SF Hook-on panel

Framed installation, fire-resistant:  
[PLAFOMETAL-SC-130]



No.	Illustration	Article code	Component	Sales unit	Billing unit	Quantity (in billing units)
1		Contact us	PM8 SF Hook-on panel (BRD)	Pack	m <sup>2</sup>	1
2		Contact us	Additional acoustic component	/	m <sup>2</sup>	1
OR		Contact us	Wall angle 30 x 30 mm* leng. 3 m, thickness 0.8 mm	Pack (30 units)	lm	Depending on the perimeter
3		V810BA	Wall angle with hemmed edges 30 x 30 mm* leng. 3 m, thickness 0.8 mm	Pack (30 units)	lm	
OR		8131431	Hollow joint rail leng. 3.6 m	Pack (8 units)	lm	$\frac{1}{\text{Bandraster center spacing (lm)}}$
4		D5180B	Bandraster leng. 3.6 m	Pack (8 units)	lm	
5		RC100/25	Wall connector for bandrasters	Pack (25 units)	Unit	Depending on the layout
5		8200652	Wall connector for hollow joint rails	Pack (25 units)	Unit	
6		Contact us	Nonius hanger*	Pack (100 units)	Unit	$\frac{1}{\text{Bandraster center spacing (lm)} \times 0.75}$
OR		Contact us	Omega bandraster splice	Pack (25 units)	Unit	$\frac{1}{\text{Bandraster center spacing (lm)} \times 3.6}$
7		Contact us	Hollow joint bandraster splice	Pack (25 units)	Unit	

Per m<sup>2</sup>

\* to be installed with specific center spacings and fixings (not supplied) according to the classification report

## Installation according to DTU 58-1 and the classification report

**Framed installation:** for a fire-resistant installation, refer to the "PM8 SF Hook-on" installation guide and always consult the fire classification report available on request.

**Removal:** by lifting the panel in the grid.

**Cut-outs:** the ceiling should not support any loads other than its own weight. For further details, refer to the installation guide or contact us.